

# Outdoor High Definition Camera Enclosure

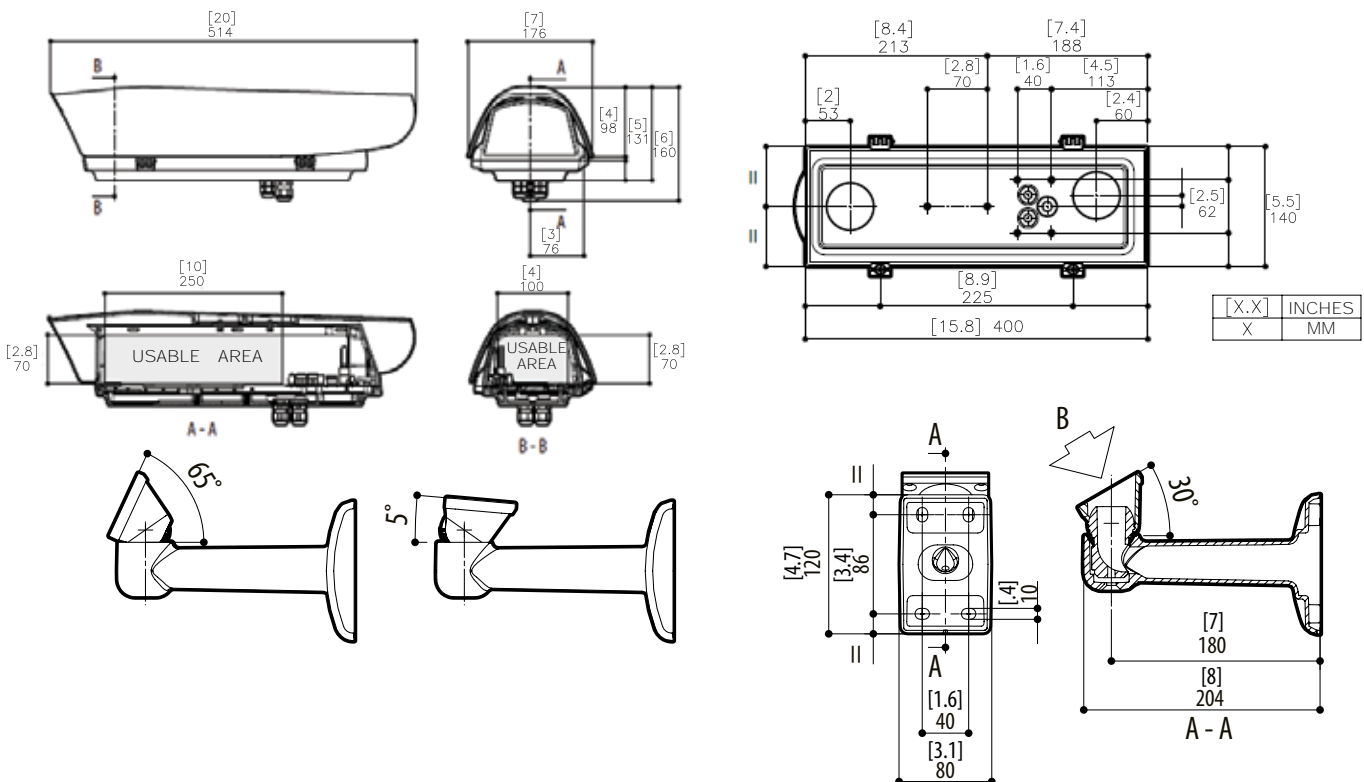


ES-HD-HWS

Outdoor, weatherproof enclosure for HD-DN and HD-H264-B cameras

|  |                        |  |  |
|--|------------------------|--|--|
| Internal usable area (W x H): 100 mm x 70 mm (4.6" x 2.7") |                        | Operating Temperature: -20 °C to +60 °C (-4 °F to +140 °F)               |  |
| Internal usable length: 250 mm (9.8")                      |                        | Resistant to 1000 hours of salt fog testing (according ISO9227)          |  |
| Cable-managed bracket and sunshield included               |                        | Heater Operation:<br>On: 15°C±3°C (59°F±5°F)<br>Off: 22°C±3°C (71°F±5°F) |  |
| Weight: 4.3 kg (9.5 lbs)                                   | Window Material: Glass | Power Consumption: 20 W  |  |
| Certifications: CE EN61000-6-3, EN60950-1, EN50130-4, IP66 |                        | Power Source:<br>VDC: 12 V<br>VAC: 24 V                                  |  |

The outdoor high definition camera enclosure ensures total protection against all environmental conditions. The side opening provides easy access to the camera and cables. Included with the enclosure is the cable-managed bracket and sunshield. The enclosure is constructed from aluminum, and the sunshield is constructed from ABS plastic for strength and durability in all applications. The enclosure also uses neoprene-rubber gaskets and sealing rings to ensure maximum weatherproofing.



Specifications subject to change without notice. V1.2

©2012 Avigilon Corporation. All rights reserved.

Trademarks and registered trademarks are the property of their respective owners.