

# 5.0 Megapixel Day/Night H.264 HD 3-9mm Indoor Dome Camera



The 5.0MP H.264 HD indoor dome camera is a great solution for monitoring both daytime and nighttime activities. It features an integrated lens for remote focus and zoom control and is ONVIF compliant for no-hassle integration. The 5.0MP indoor dome camera operates on Avigilon's new H3 platform, an upgrade to the existing H.264 platform, providing this model with greater resolution support, improved low light performance and enhanced HDSM features. P-Iris control also allows the camera to automatically set its iris position to maximize image quality in all lighting conditions.

## KEY FEATURES

5.0 megapixel progressive scan CMOS sensor

Unsurpassed image quality

3-9mm, F1.2 P-Iris lens with remote focus and zoom

13 images per second at full resolution

69dB true dynamic range

0.3 lux minimum illumination in color mode and 0.03 lux minimum illumination in monochrome mode

H.264 and Motion JPEG compression

ONVIF compliant API

Multiple video streams

Automatic exposure control and iris control

Automatic removable IR cut filter for IR sensitivity at night

Power over Ethernet, 24 VAC or 12 VDC power input

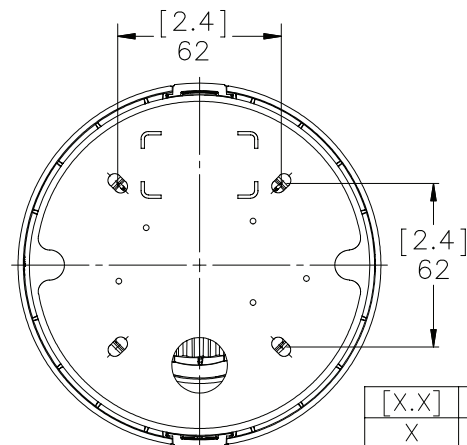
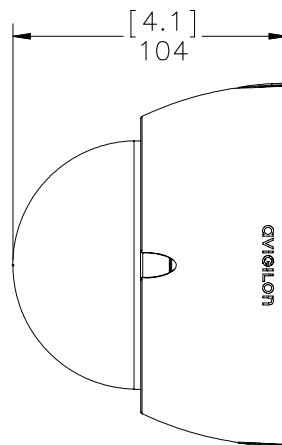
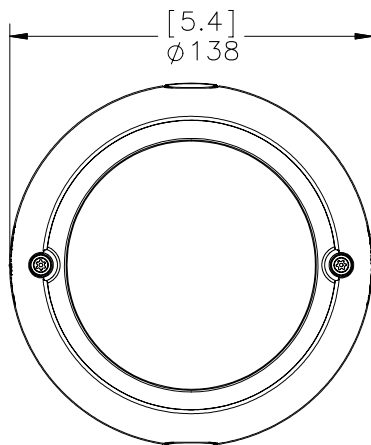
Audio Input and Output

Analog Video Output

External I/O

H.264 HD DOME CAMERA

## Outline Dimensions



[X.X]	INCHES
X	MM

# Specifications

## CAMERA

Image Sensor	1/3.2" progressive scan CMOS
Active Pixels	2592 (H) x 1944 (V)
Imaging Area	4.6 mm (H) x 3.4 mm (V) (0.181" (H) x 0.133" (V))
Minimum Illumination	0.3 lux (F1.2) in color mode; 0.03 lux (F1.2) in monochrome mode
Dynamic Range	69 dB
Lens	3-9 mm, F1.2, P-Iris, remote focus and zoom
Angle of View	28° - 84°
Image Compression Method	H.264 (MPEG-4 Part 10/AVC), Motion JPEG
Image Rate	13 (at full resolution), 30 (at 1920 x 1080 or smaller)
Streaming	Multi-stream H.264 and Motion JPEG
Resolution Scaling	Down to 480 x 360
Motion Detection	Selectable sensitivity and threshold
Electronic Shutter Control	Automatic, Manual (1/6 to 1/8000 sec)
Iris Control	Automatic, Manual
Day/Night Control	Automatic, Manual
Flicker Control	50 Hz, 60 Hz
White Balance	Automatic, Manual
Privacy Zones	Up to 4 zones
Audio Compression Method	G.711 PCM 8 kHz
Audio Input	Line input, A/V mini-jack (3.5 mm)
Audio Output	Line level, A/V mini-jack (3.5 mm)
Video Output	NTSC/PAL, A/V mini-jack (3.5 mm)
External I/O Terminals	Alarm In, Alarm Out

## NETWORK

Network	100BASE-TX
Cabling Type	CAT5
Connector	RJ-45
API	ONVIF compliant ( <a href="http://www.onvif.org">www.onvif.org</a> )
Security	Password protection, HTTPS encryption, digest authentication, WS authentication, user access log.
Protocol	IPv4, HTTP, HTTPS, SOAP, DNS, NTP, RTSP, RTCP, RTP, TCP,UDP, IGMP, ICMP, DHCP, Zeroconf, ARP
Streaming Protocols	RTP/UDP, RTP/UDP multicast, RTP/RTSP/TCP, RTP/RTSP/HTTP/TCP, RTP/RTSP/HTTPS/TCP, HTTP

## MECHANICAL

Dimensions (ØxH)	140 mm x 104 mm (5.5" x 4.1)
Weight	0.55 kg (1.2 lbs)
Dome Bubble	Polycarbonate, clear
Body	Plastic
Housing	Surface mount, tamper resistant
Finish	Plastic, RAL 9003
Adjustment Range	360° pan, 180° tilt, 360° azimuth

## ELECTRICAL

Power Source	VDC: 12 V VAC: 24 V PoE: IEEE802.3af Class 3 compliant
Power Consumption	5 W
Power Connector	2-pin terminal block

## ENVIRONMENTAL

Operating Temperature	-10 °C to +50 °C (14 °F to 122 °F)
Storage Temperature	-10 °C to +70 °C (14 °F to 158 °F)
Humidity	20 - 80% Relative humidity (non-condensing)

## CERTIFICATIONS

Safety	UL 60950 CSA 60950 EN 60950-1	CE ROHS WEEE
Electromagnetic Emissions	FCC Part 15 Subpart B Class B IC ICES-003 Class B EN 55022 Class B	
Electromagnetic Immunity	EN 55024 EN 61000-4-2 EN 61000-4-3 EN 61000-4-4	EN 61000-4-5 EN 61000-4-6 EN 61000-4-11

## ORDERING INFORMATION

5.0-H3-D1	5.0 Megapixel Day/Night H.264 HD 3-9mm Indoor Dome Camera
H3-D-SMOKE	Dome Camera Cover with Smoked Bubble